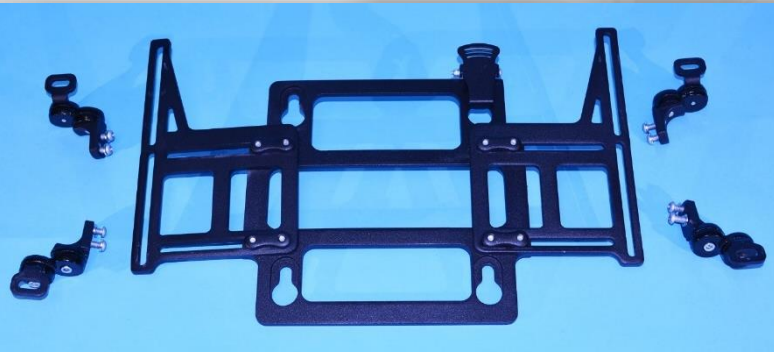


Mounting the Ride Custom Back to the Permobil 3G Direct Backrest Frame

Items to Order from Permobil

- Select the Direct Backrest Frame (PN: 1106072-99-0)

Mounting brackets and linkage arms will be removed to make room for the Ride FlexLoc[®] adapter plates. The Ride FlexLoc adapter plates will be attached directly to the Permobil with adjustment plates.



- Order Longer Armrests

To ensure adequate armrest length for the user, the next longer armrest size should be ordered. For users who need 18" armrests, custom modifications may be necessary to make the 18" armrests work with the Ride custom backrest setup.



Items to Order from Ride Designs®

Ride Custom Back Order Form

Client First and Last Name _____

2. Wheelchair Interface

Item	Part Number	Mfr. Sugg. Retail Price*
------	-------------	--------------------------

Ride FlexLoc Specifications

NOTE: Sections a, b, and c MUST have a selection.

a. Select Size:

NOTE: Order the FlexLoc size that matches the distance between mounting locations, not necessarily the wheelchair width.

- | | | |
|--|-------|----------|
| <input checked="" type="checkbox"/> Small — mounting distance 10 - 14" | FL-MS | Standard |
| <input type="checkbox"/> Medium — mounting distance 14 - 17" | FL-MM | Standard |
| <input type="checkbox"/> Large — mounting distance 18 - 21" | FL-ML | Standard |
| <input type="checkbox"/> Extra Large — mounting distance 22 - 24" | FL-MX | Standard |

b. Select Mounting:

- | | | |
|--|-----------|-----------|
| <input type="checkbox"/> Clamp Mount for round back canes | FL-MCI | Standard |
| <input type="checkbox"/> Additional Mounting Clamps (pair) | FL-MC | \$ 210.00 |
| <input checked="" type="checkbox"/> FlexLoc Adapter Plate | FL-MCI-P1 | No Charge |

For mounting to wheelchairs without round back canes, e.g. Permobil 3G, Invacare Tilt and Recline, or general surface mounting to existing back pans. This option replaces Cane Clamps.

c. Select Attachment:

- | |
|--|
| <input type="checkbox"/> Fixed, non-removeable |
| <input checked="" type="checkbox"/> Quick Release Option |

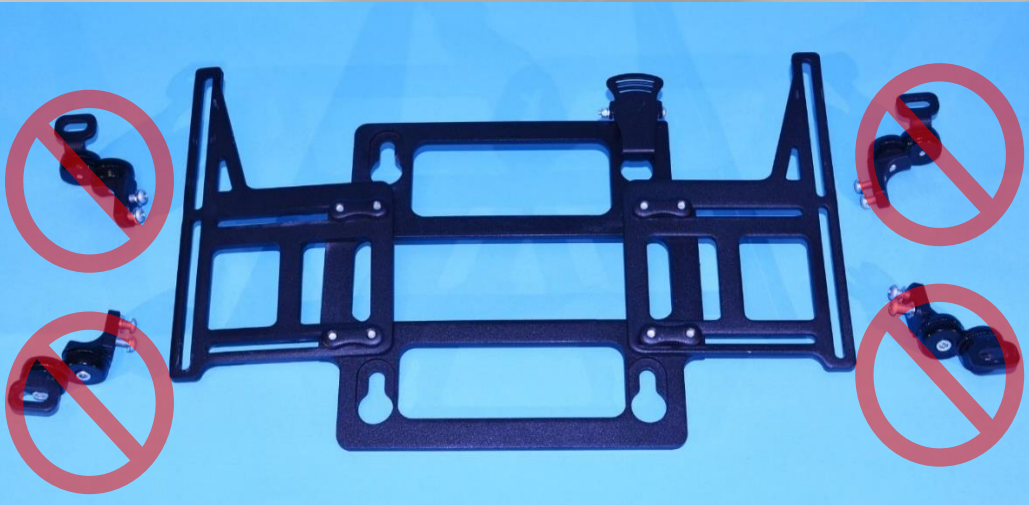
NOTE: The Ride FlexLoc Mount can be interfaced with most any wheelchair configuration. Contact Ride Designs for a solution to your mounting challenge.



- FlexLoc® Hardware
- Size, small regardless of wheelchair width.
- Mounting, FlexLoc Adapter Plate
- Attachment, Quick Release as you will need to remove the Ride Custom Back to tighten an adjustment.
- FlexLoc Adapter Plate Kit

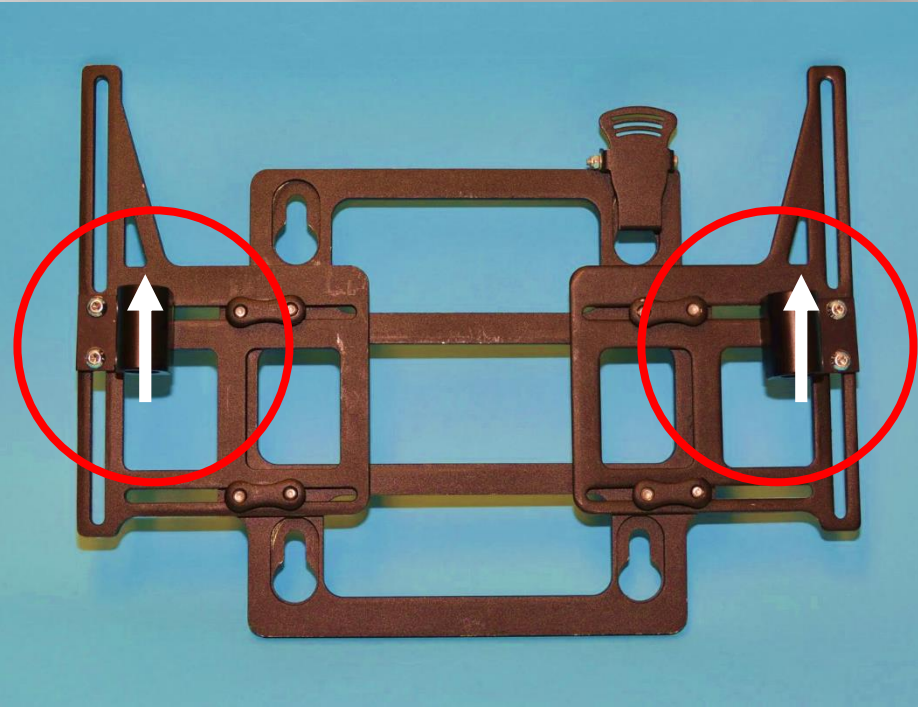


Direct Backrest Frame



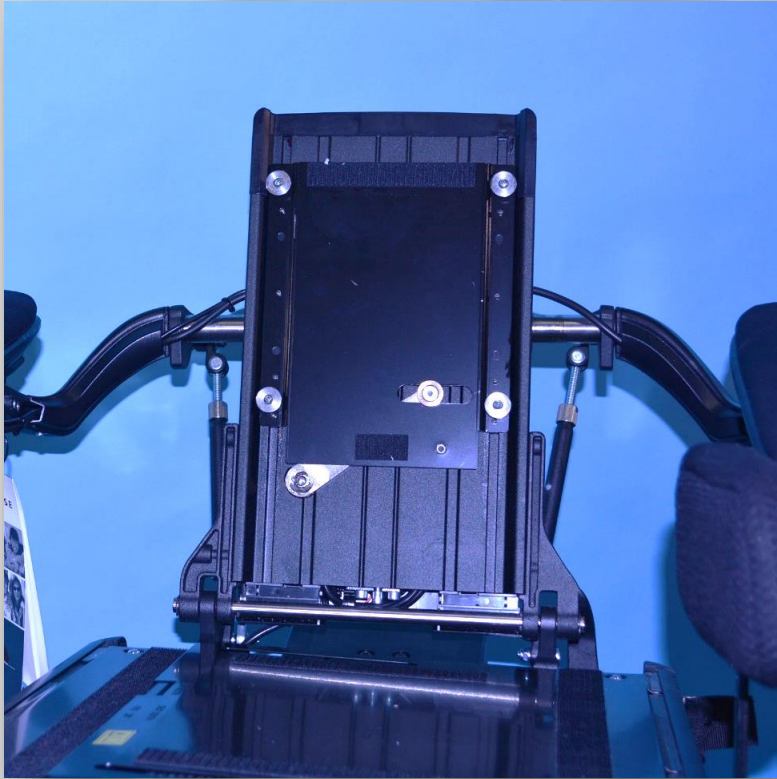
- Remove mounting brackets and linkage arms from frame. They will not be needed.

Attach Adapter Plates to Frame



1. Attach adapter plates using fasteners included with the FlexLoc Adapter Plate Kit.
2. Orient plates as high as possible to reduce the amount of wheelchair back recline needed to reduce loss of seat depth.

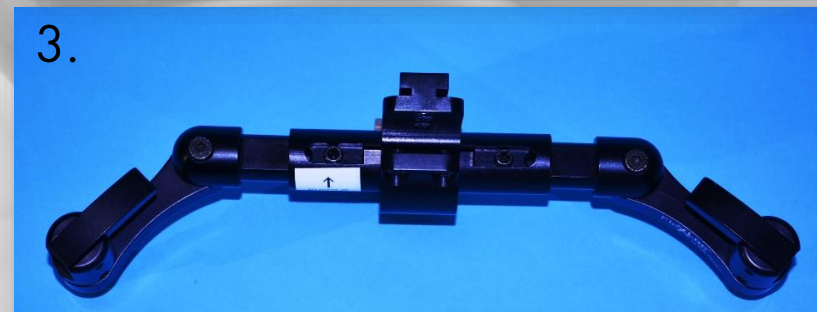
Attach Frame to Wheelchair



Reconfigure FlexLoc

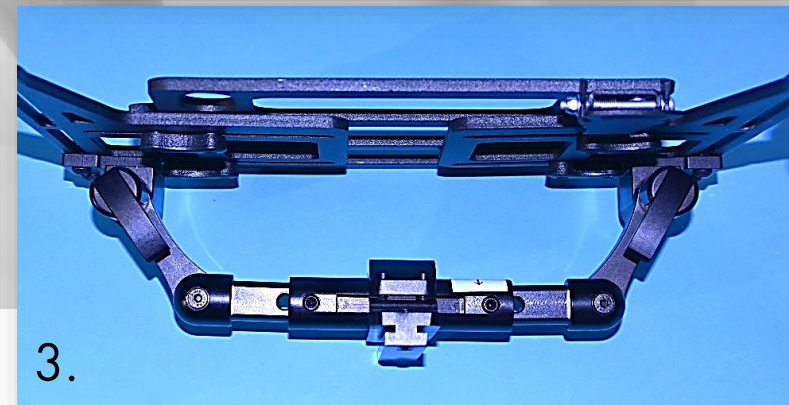
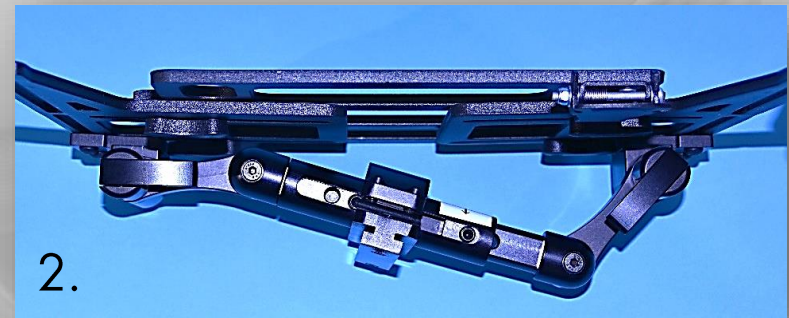
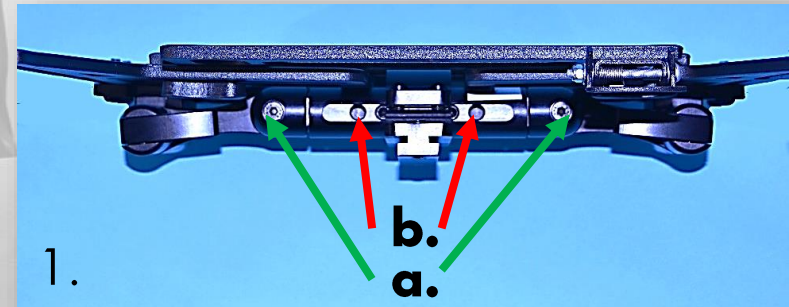
1. Standard configuration, width adjustment screw access facing down.
2. Remove width adjustment screws, dismantle and flip center tube.
3. Reinsert width adjustment screws from top.

Note: This eases access for adjustment and tightening when on chair.



Depth and Rotation Adjustment

1. Loosen rotation screws (a) and width adjustment screws (b) to adjust rotation and depth.
2. FlexLoc shown with rotation.
3. FlexLoc shown fully forward.



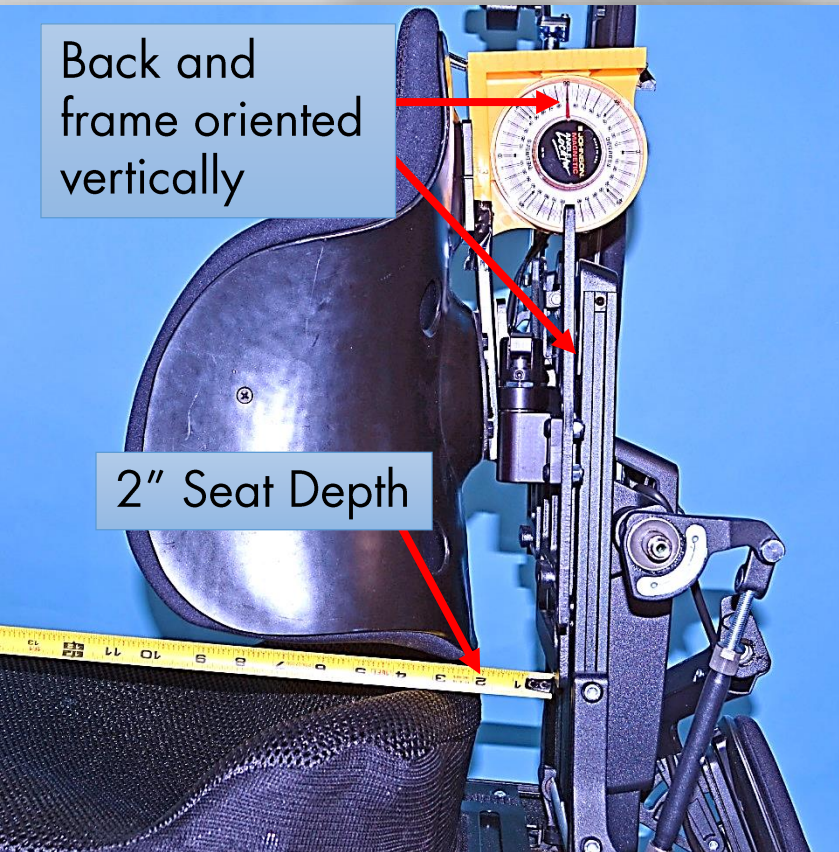
Attach to FlexLoc and Install



- Attach Back to FlexLoc and install on chair
- See the problem?
 - Loss of seat depth when RCB and wheelchair back are both vertical and parallel



Problem Defined

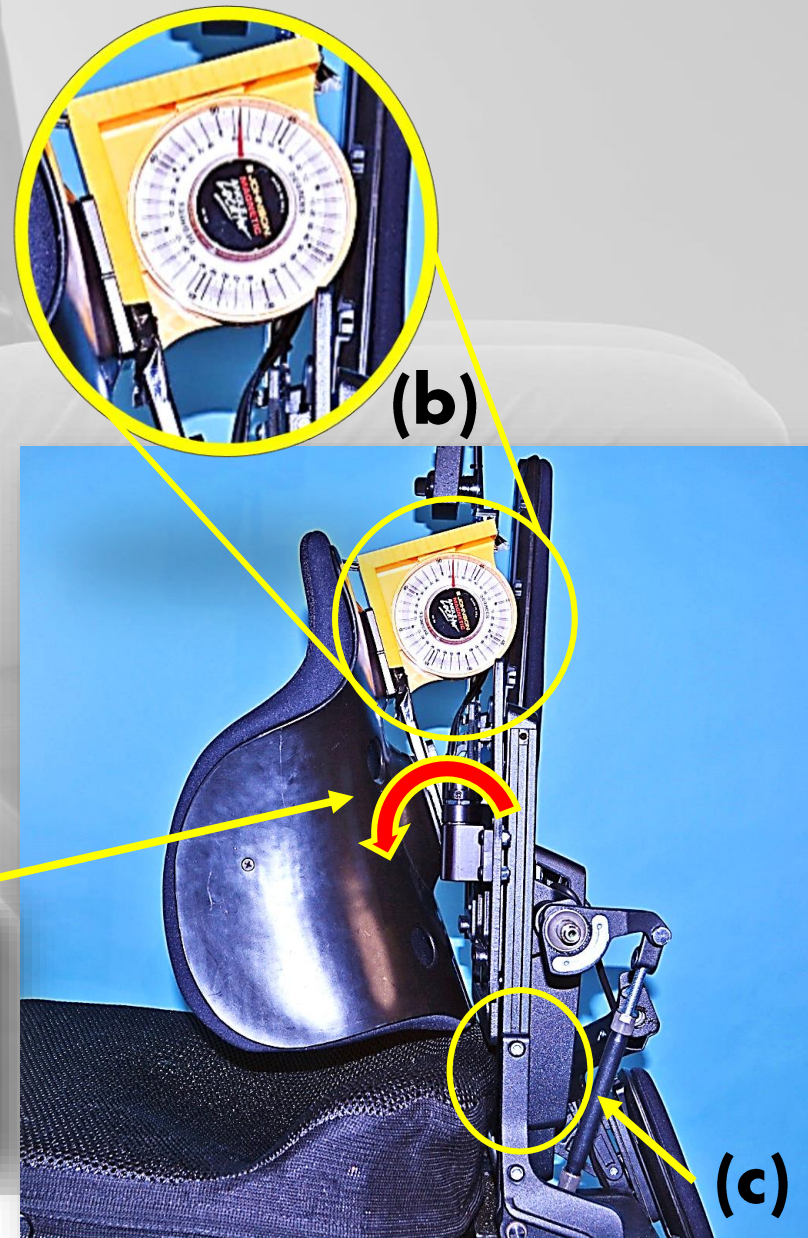


- Parallel and vertical orientation of chair frame and custom back support causes, with this custom back (each one varies depending on shape), just over a 2" loss of seat depth.



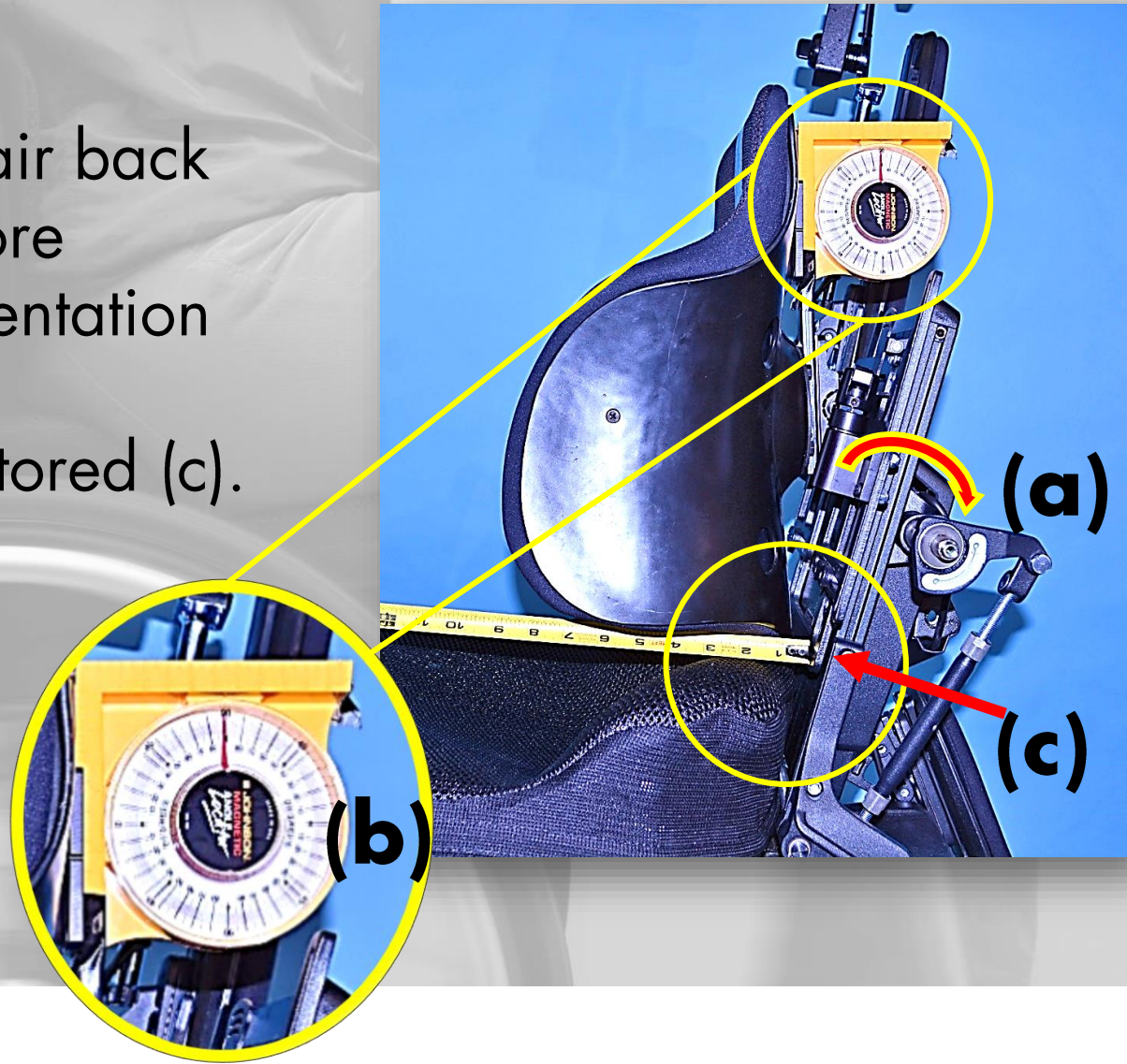
The Fix (Part 1)

1. Close back angle at FlexLoc (a).
2. In this case, approximately 12 degrees forward (b) restored seat depth (c).



The Fix (Part 2)

1. Recline wheelchair back frame (a) to restore desired back orientation (b).
2. Seat depth is restored (c).



The Fix (Part 3)

- Level the armrests as needed.



Tighten it all down!

1. Tighten FlexLoc width and pivot screws.



2. Release back support from frame and tighten back angle adjustment.





Need More Information?

ridedesigns.com

tollfree: 866-781-1633